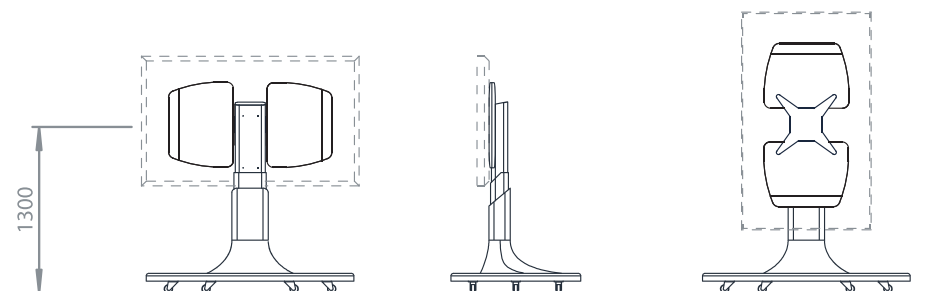
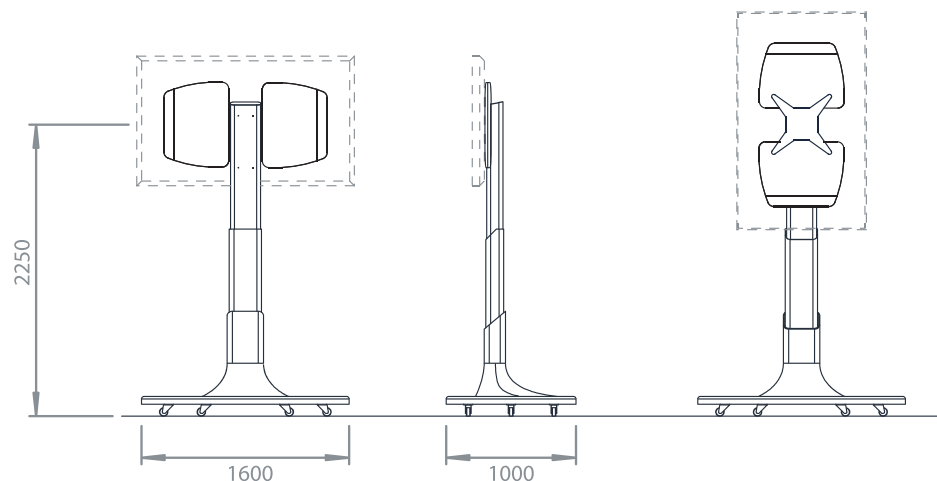




BASE SHAPE OPTIONS



**MAJOR**<sup>®</sup>  
holding your  
emotions

## Features

- Stock colors: Custom painting.
- Controlled via app (iOS, Android) and manual switches.
- Connectable to home automation systems.
- TV mount compatible with VESA standards (FDMI). ①
- Standard TV cables equipment (hidden in the structure):
  - AC Power Supply 110/220 volt
  - Coaxial (digital terrestrial antenna)
  - HDMI High Speed with Ethernet
  - Patch Ethernet Cat.6
- LED light base
- Standing options: legs or wheels

**Maior Omnia Studio**  
size and dimensions

## Technical specifications

- Screen vaulting: 0°-90°
- Vertical stroke: 950 mm
- Screen rotation: 360°
- Supportable TV sizes: min 40"- max 75" ①
- Machine weight: 63 kg
- Base weight: 65 kg (rounded) / 110 kg (elliptical)
- Supportable equipment weight:
  - TV + devices max 70 kg
- Power supply: 110V 60Hz / 220V 50Hz

\* NB:  
dimensions involving the TV  
inevitably vary depending on TV size.

① verification required.

measure unit: millimeters  
approximate TV size as per drawing: 75"